

DO NOT SCALE FROM THIS PRINT

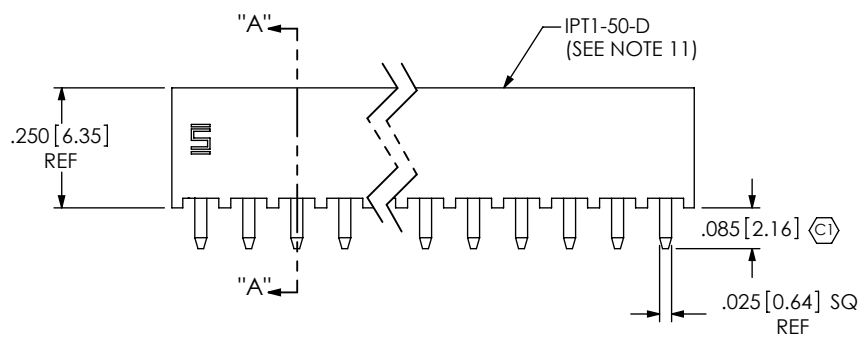
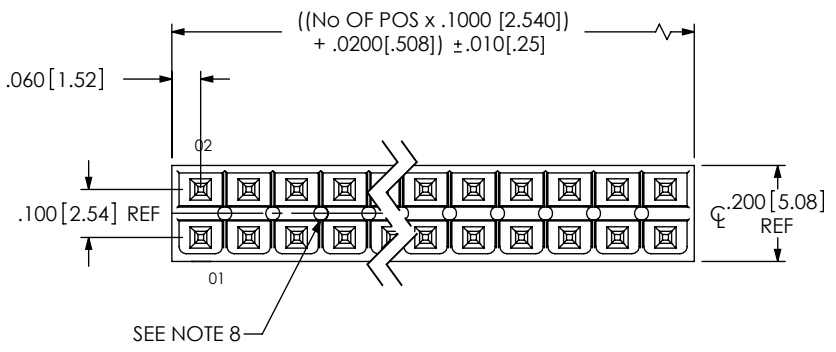
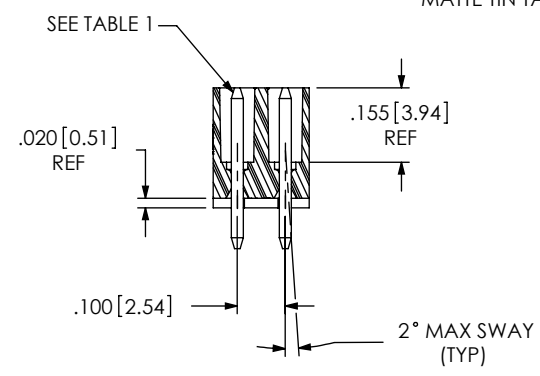


FIG. 1
(IPT1-150-01-XX-D-XXX SHOWN)

IPT1-1XX-XX-XX-D-XXX

- No OF POS PER ROW
-02 THRU -50
- LEAD STYLE
SEE TABLE 1, SHEET 2
- OPTION
(SEE NOTE 11)
-POL: POSITION #1 REMOVED
(USE IPT1-XX-D-P)
-FL: FRICTION LOCK [POS -05 THRU -25]
(USE IPT1-XX-D-FL-X & T-1S64-XX-X)
- ROW SPECIFICATION
(SEE NOTE 11)
-D: DOUBLE (USE IPT1-XX-D-XX-X)
- PLATING SPECIFICATION
-S: SELECTIVE, 30 Au / 50 Ni MIN ON CONTACT, MATTE TIN TAIL
-SM: SELECTIVE, 30 Au / 50 Ni MIN ON CONTACT, MATTE TIN TAIL
-L: LIGHT SELECTIVE, 10 Au / 50 Ni MIN ON CONTACT, MATTE TIN TAIL

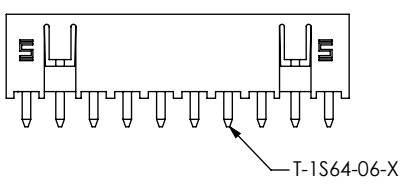


SECTION "A"-"A"

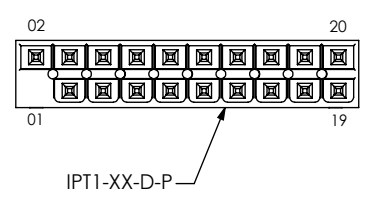
NOTES:

1. C REPRESENTS A CRITICAL DIMENSION.
2. MAXIMUM ALLOWABLE CUT FLASH: .010 [2.5].
3. MINIMUM TERMINAL PUSH OUT FORCE: 2 lbs.
4. MAXIMUM VARIATION BETWEEN PIN ROWS: .005 [1.3].
5. "END WALLS" AFTER CUTTING SHOULD BE .015+/- .003 [1.38+/- .08].
6. PARTS TO BE BULK PACKAGED.
7. ALL DIMENSIONS TO BE ABOUT CENTERLINE WITHIN +/- .005 [1.3].
8. PRESENCE OF VOIDS IS OPTIONAL AND PATTERN TO WHICH THEY OCCUR IS VARIABLE.
9. -T PLATING OPTION AVAILABLE FOR EXISTING CUSTOMERS ONLY.
10. NOTE DELETED.
11. STANDARD BODIES CAN BE CUT TO POSITION.
FOR -POL & -FL OPTIONS, BODIES MUST BE MOLDED TO POSITION.

-FL: FRICTION LOCK OPTION
(IPT1-110-01-X-D-FL SHOWN)



-POL: POLARIZED OPTION
(IPT1-110-01-X-D-POL SHOWN)



UNLESS OTHERWISE SPECIFIED, DIMENSIONS ARE IN INCHES.
TOLERANCES ARE:
DECIMALS ANGLES
.XX: ±.01 [3] ± 2°
.XXX: ±.005 [13]
.XXXX: ±.0020 [051]

PROPRIETARY NOTE
THIS DOCUMENT CONTAINS INFORMATION CONFIDENTIAL AND PROPRIETARY TO SAMTEC, INC. AND SHALL NOT BE REPRODUCED OR TRANSFERRED TO OTHER DOCUMENTS OR DISCLOSED TO OTHERS OR USED FOR ANY PURPOSE OTHER THAN THAT WHICH IT WAS OBTAINED WITHOUT THE EXPRESSED WRITTEN CONSENT OF SAMTEC, INC.



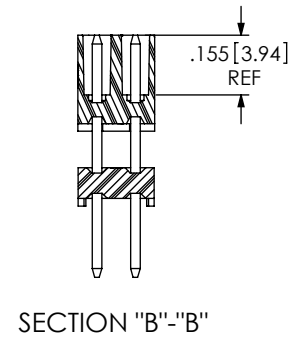
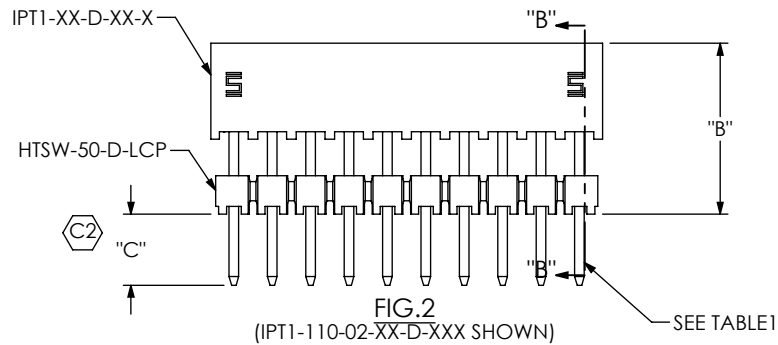
520 PARK EAST BLVD, NEW ALBANY, IN 47150
PHONE: 812-944-6733 FAX: 812-948-5047
e-Mail: info@SAMTEC.com code 55322

MATERIAL: DO NOT SCALE DRAWING SHEET SCALE: 1:0.4
INSULATOR: LCP, UL 94 VO, COLOR: BLACK
CONTACT: PHOS BRONZE, 510, 3/4 HARD

DESCRIPTION:
.100 DOUBLE ROW SHROUDED TERMINAL ASSEMBLY

DWG. NO.
IPT1-1XX-XX-XX-D-XXX

BY: DEAN P 11-05-2002 SHEET 1 OF 2




LEADSTYLE	"B"	BOARD STACK HEIGHT WHEN MATED WITH IPS1	TERMINAL	"C"
-01	N/A	N/A	T-1S6-21-X-2	
-02	.366[9.30]	.551[14.00]	T-1S6-26-X-2	.104[2.64]
-03	.445[11.30]	.630[16.00]	T-1S6-08-X-2	.085[2.16]
-04	.484[12.30]	.669[17.00]	T-1S6-24-X-2	.106[2.69]
-05	.563[14.30]	.748[19.00]	T-1S6-27-X-2	.097[2.46]
-06	.602[15.30]	.787[20.00]	T-1S6-23-X-2	.093[2.35]
-07	.799[20.30]	.984[25.00]	T-1S6-28-X-2	.091[2.31]
-08	.996[25.30]	1.181[30.00]	T-1S6-29-X-2	.094[2.39]
-09	1.193[30.30]	1.378[35.00]	T-1S6-30-X-2	.097[2.46]

PROPRIETARY NOTE
 THIS DOCUMENT CONTAINS INFORMATION CONFIDENTIAL AND PROPRIETARY TO SAMTEC, INC. AND SHALL NOT BE REPRODUCED OR TRANSFERRED TO OTHER DOCUMENTS OR DISCLOSED TO OTHERS OR USED FOR ANY PURPOSE OTHER THAN THAT WHICH IT WAS OBTAINED WITHOUT THE EXPRESSED WRITTEN CONSENT OF SAMTEC, INC.

DO NOT SCALE DRAWING

SHEET SCALE: 2:1



520 PARK EAST BLVD, NEW ALBANY, IN 47150
 PHONE: 812-944-6733 FAX: 812-948-5047
 e-Mail info@SAMTEC.com code 55322

DESCRIPTION:
 .100 DOUBLE ROW SHROUDED TERMINAL ASSEMBLY

DWG. NO.
IPT1-1XX-XX-XX-D-XXX

BY: DEAN P 11-05-2002 SHEET 2 OF 2